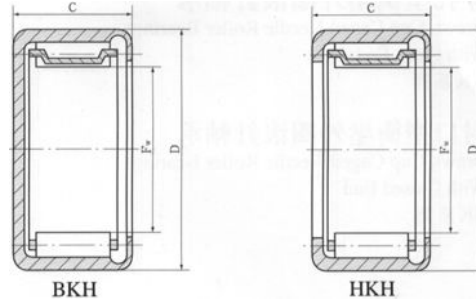


Drawn Cup Caged Needle Roller Bearings
With Open End
HKH Series

Drawn Cup Caged Needle Roller Bearings
With Closed End
BKH Series



Shaft Diameter	Bearing Designation				Mass(g)		Boundary Dimensions			Basic Load Rating		Limiting Speed Oil
	HKH	Original	BKH	Original	HKH	BKH	Fw	D	C	Dynamic Cr (N)	Static Cor(N)	
8	HKH0810	27942/8	BKH0810	25942/8	5.5	6.0	8	14	10	3400	3200	22000
	HKH0812	37942/8	BKH0812	35942/8	6.6	7.1	8	14	12	4400	4400	22000
	HKH0814	47942/8	BKH0814	45942/8	7.9	8.4	8	14	14	5400	5700	22000
9	HKH0910	27942/9	BKH0910	25942/9	5.9	6.5	9	15	10	3700	3600	21000
	HKH0912	37942/9	BKH0912	35942/9	7.2	7.8	9	15	12	4800	5000	21000
	HKH0914	47942/9	BKH0914	45942/9	8.4	9.0	9	15	14	5800	6500	21000
	HKH0916	57942/9	BKH0916	55942/9	9.8	10.4	9	15	16	6800	7900	21000
10	HKH1010	27942/10	BKH1010	25942/10	6.4	7.1	10	16	10	3900	4000	19000
	HKH1012	37942/10	BKH1012	35942/10	7.8	8.5	10	16	12	5100	5600	19000
	HKH1014	47942/10	BKH1014	45942/10	9.1	9.8	10	16	14	6200	7300	19000
	HKH1016	57942/10	BKH1016	55942/10	10.6	11.3	10	16	16	7300	8900	19000
12	HKH1210	27942/12	BKH1210	25942/12	7.3	8.2	12	18	10	4400	4900	17000
	HKH1212	37942/12	BKH1212	35942/12	9.0	9.9	12	18	12	5800	6900	17000
	HKH1214	47942/12	BKH1214	45942/12	10.6	11.5	12	18	14	7000	8800	17000
	HKH1216	57942/12	BKH1216	55942/12	12.2	13.1	12	18	16	8200	10800	17000
	HKH1218	67942/12	BKH1218	65942/12	13.8	14.7	12	18	18	9300	12700	17000
14	HKH1412	27942/14	BKH1412	25942/14	13.2	14.5	14	22	12	7000	7200	14000
	HKH1414	37942/14	BKH1414	35942/14	15.7	17.0	14	22	14	8800	9600	14000
	HKH1416	47942/14	BKH1416	45942/14	18.1	19.4	14	22	16	10500	12000	14000
	HKH1418	57942/14	BKH1418	55942/14	20.5	21.8	14	22	18	12100	14300	14000
	HKH1420	67942/14	BKH1420	65942/14	23.1	24.4	14	22	20	13600	16700	14000
15	HKH1512	27942/15	BKH1512	25942/15	13.9	25.4	15	23	12	7500	7900	13000
	HKH1514	37942/15	BKH1514	35942/15	16.6	18.1	15	23	14	9400	10600	13000
	HKH1516	47942/15	BKH1516	45942/15	19.3	20.8	15	23	16	11100	13200	13000
	HKH1518	57942/15	BKH1518	55942/15	21.8	23.3	15	23	18	12800	15800	13000
	HKH1520	67942/15	BKH1520	65942/15	24.4	25.9	15	23	20	14500	18500	13000
16	HKH1612	27942/16	BKH1612	25942/16	14.1	15.7	16	24	12	7500	8000	12500
	HKH1614	37942/16	BKH1614	35942/16	17.0	18.6	16	24	14	9400	10700	12500
	HKH1616	47942/16	BKH1616	45942/16	19.6	21.2	16	24	16	11100	13300	12500
	HKH1618	57942/16	BKH1618	55942/16	22.3	23.9	16	24	18	12800	16000	12500
	HKH1620	67942/16	BKH1620	65942/16	24.9	26.5	16	24	20	14500	18700	12500
17	HKH1712	27942/17	BKH1712	25942/17	14.6	16.7	17	25	12	7900	8800	12000
	HKH1714	37942/17	BKH1714	35942/17	17.8	19.6	17	25	14	9900	11700	12000
	HKH1716	47942/17	BKH1716	45942/17	20.7	22.5	17	25	16	11800	14600	12000
	HKH1718	57942/17	BKH1718	55942/17	23.5	25.3	17	25	18	13600	17500	12000
	HKH1720	67942/17	BKH1720	65942/17	26.4	28.2	17	25	20	15300	20400	12000
18	HKH1812	27942/18	BKH1812	25942/18	15.7	17.7	18	26	12	8300	9500	11200

Shaft Diameter	Bearing Designation				Mass(g)		Boundary Dimensions			Basic Load Rating		Limiting Speed
	HKH	Original	BKH	Original	HKH	BKH	Fw	D	C	Dynamic Cr (N)	Static Cor(N)	
18	HKH1814	37942/18	BKH1814	35942/18	18.8	20.8	18	26	14	10400	12700	11200
	HKH1816	47942/18	BKH1816	45942/18	21.8	23.8	18	26	16	12400	15800	11200
	HKH1818	57942/18	BKH1818	55942/18	24.8	26.8	18	26	18	14300	19000	11200
	HKH1820	67942/18	BKH1820	65942/18	27.8	27.8	18	26	20	16100	22200	11200
20	HKH2012	27942/20	BKH2012	25942/20	17.1	17.6	20	28	12	8700	10300	10400
	HKH2014	37942/20	BKH2014	35942/20	20.3	22.8	20	28	14	10900	13800	10400
	HKH2016	47942/20	BKH2016	45942/20	23.6	26.1	20	28	16	13000	17200	10400
	HKH2018	57942/20	BKH2018	55942/20	26.8	29.3	20	28	18	14900	20700	10400
	HKH2020	67942/20	BKH2020	65942/20	30.2	32.7	20	28	20	16800	24100	10400
22	HKH2212	27942/22	BKH2212	25942/22	18.4	21.4	22	30	12	9100	11200	9500
	HKH2214	37942/22	BKH2214	35942/22	21.9	24.9	22	30	14	11300	14900	9500
	HKH2216	47942/22	BKH2216	45942/22	25.3	28.3	22	30	16	13500	18600	9600
	HKH2218	57942/22	BKH2218	55942/22	28.9	31.9	22	30	18	15500	22300	9600
	HKH2220	67942/22	BKH2220	65942/22	32.4	35.4	22	30	20	17500	26000	9600
25	HKH2514	27942/25	BKH2514	25942/25	29.9	33.8	25	35	14	12200	14000	8100
	HKH2516	37942/25	BKH2516	35942/25	35.0	38.9	25	35	16	15000	18300	8100
	HKH2518	47942/25	BKH2518	45942/25	40.0	43.9	25	35	18	17600	22500	8100
	HKH2520	57942/25	BKH2520	55942/25	44.9	48.8	25	35	20	20200	26800	8100
	HKH2524	67942/25	BKH2524	65942/25	54.8	57.7	25	35	24	25000	35300	8100
28	HKH2814	27942/28	BKH2814	25942/28	33.2	38.1	28	38	14	13300	16300	7200
	HKH2816	37942/28	BKH2816	35942/28	38.8	43.7	28	38	16	16400	21200	7200
	HKH2818	47942/28	BKH2818	45942/28	44.4	49.3	28	38	18	19300	26100	7300
	HKH2820	57942/28	BKH2820	55942/28	49.8	54.7	28	38	20	22100	31000	7300
	HKH2824	67942/28	BKH2824	65942/28	60.8	65.7	28	38	24	27400	40900	7300
30	HKH3014	27942/30	BKH3014	25942/30	35.2	40.8	30	40	14	13900	17400	6800
	HKH3016	37942/30	BKH3016	35942/30	41.1	46.7	30	40	16	17000	22700	68000
	HKH3018	47942/30	BKH3018	45942/30	47.0	52.6	30	40	18	20100	28000	6800
	HKH3020	57942/30	BKH3020	55942/30	52.8	58.4	30	40	20	22900	33300	6800
	HKH3024	67942/30	BKH3024	65942/30	64.4	70.0	32	42	24	28400	43800	6800
32	HKH3214	27942/32	BKH3214	25942/32	37.2	43.6	32	42	14	14400	18600	6500
	HKH3216	37942/32	BKH3216	35942/32	43.5	49.9	32	42	16	17700	24200	6500
	HKH3218	47942/32	BKH3218	45942/32	49.7	56.1	32	42	18	20800	29800	6500
	HKH3220	57942/32	BKH3220	55942/32	55.8	62.2	32	42	20	32800	35500	6500
	HKH3224	67942/32	BKH3224	65942/32	68.1	74.5	32	42	24	29500	46700	6500
35	HKH3514	27942/35	BKH3514	25942/35	39.8	47.4	35	45	14	14800	19800	6000
	HKH3516	37942/35	BKH3516	35942/35	46.5	54.1	35	45	16	18200	25800	6000
	HKH3518	47942/35	BKH3518	45942/35	53.2	60.8	35	45	18	21400	31800	6000
35	HKH3520	57942/35	BKH3520	55942/35	59.8	67.4	35	45	20	24500	37800	6000
	HKH3524	67942/35	BKH3524	65942/35	72.9	80.5	35	45	24	30300	49800	6000
38	HKH3814	27942/38	BKH3814	25942/38	43.1	52.0	38	48	14	15800	22100	5700
	HKH3816	37942/38	BKH3816	35942/38	50.4	59.3	38	48	16	19400	28800	5700
	HKH3818	47942/38	BKH3818	45942/38	57.6	66.5	38	48	18	22800	35400	5700
	HKH3820	57942/38	BKH3820	55942/38	64.7	73.6	38	48	20	26100	42100	5700
	HKH3824	67942/38	BKH3824	65942/38	78.9	87.8	38	48	24	32300	55500	5700

Shaft Diameter	Bearing Designation				Mass(g)		Boundary Dimensions			Basic Load Rating		Limiting Speed
	HKH	Original	BKH	Original	HKH	BKH	Fw	D	C	Dynamic Cr (N)	Static Cor(N)	
40	HKH4014	27942/40	BKH4014	25942/40	45.1	55.0	40	50	14	16200	23200	5200
	HKH4016	37942/40	BKH4016	35942/40	52.7	62.6	40	50	16	19900	30300	5200
	HKH4018	47942/40	BKH4018	45942/40	60.3	70.2	40	50	18	23400	37300	5200
	HKH4020	57942/40	BKH4020	55942/40	67.7	77.6	40	50	20	26800	44400	5200
	HKH4024	67942/40	BKH4024	65942/40	82.7	92.6	40	50	24	33200	58400	5200
42	HKH4214	27942/42	BKH4214	25942/42	47.0	57.9	42	52	14	16600	24400	5000
	HKH4216	37942/42	BKH4216	35942/42	54.9	65.8	42	52	16	20400	31800	5000
	HKH4218	47942/42	BKH4218	45942/42	62.9	73.8	42	52	18	24000	39200	5000
	HKH4220	57942/42	BKH4220	55942/42	70.6	81.5	42	52	20	27500	46600	5000
	HKH4224	67942/42	BKH4224	65942/42	86.2	97.1	42	52	24	34100	61400	5000
45	HKH4514	27942/45	BKH4514	25942/45	49.6	62.1	45	55	14	17000	25600	4800
	HKH4516	37942/45	BKH4516	35942/45	58.1	70.6	45	55	16	20900	33400	4800
	HKH4518	47942/45	BKH4518	45942/45	66.4	78.9	45	55	18	24600	41100	4800
	HKH4520	57942/45	BKH4520	55942/45	74.6	89.4	45	55	20	28100	48900	4800
	HKH4524	67942/45	BKH4524	65942/45	91.1	103.6	45	55	24	34800	64400	4800

Remarks: 1) TN=The allowable working temperature for plastic cage: 120°C (continuously); 150°C (temporarily); 180°C (for a shorttime).

2) Allowable rotational speed applies to oil lubrication. For grease lubrication, a maximum of 60% of this value is allowable.