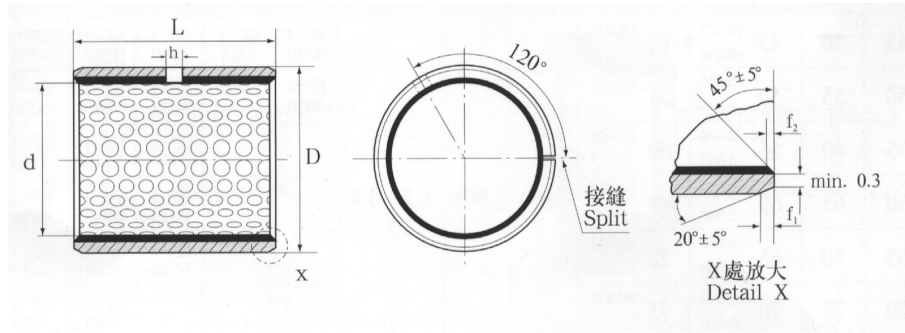


Standard Series of SF-2 Bushes



d	D	Axle	Housing H17	Wall thickness		Oil hole	f <sub>1</sub>	f <sub>2</sub>	Length <sup>0</sup> <sub>-0.4</sub> ( <Φ28 L-0.3 >Φ30 L-0.4 )																
				min	max				10	15	20	25	30	35	40	45	50	60							
10	12	10 <sub>-0.022</sub>	12 <sup>+0.018</sup>	0.955	0.980	4	0.5	0.3	SF-2	SF-2	SF-2														
12	14	12 <sub>-0.027</sub>	14 <sup>+0.018</sup>											SF-2	SF-2	SF-2									
14	16	14 <sub>-0.027</sub>	16 <sup>+0.018</sup>												SF-2	SF-2									
15	17	15 <sub>-0.027</sub>	17 <sup>+0.018</sup>						SF-2	SF-2	SF-2														
16	18	16 <sub>-0.027</sub>	18 <sup>+0.018</sup>						SF-2	SF-2															
18	20	18 <sub>-0.027</sub>	20 <sup>+0.021</sup>								SF-2	SF-2		SF-2											
20	23	20 <sub>-0.033</sub>	23 <sup>+0.21</sup>	1.445	1.475		0.8	0.4			SF-2	SF-2	SF-2		SF-2										
22	25	22 <sub>-0.033</sub>	25 <sup>+0.021</sup>													SF-2	SF-2								
25	28	25 <sub>-0.033</sub>	28 <sup>+0.021</sup>								SF-2	SF-2													
28	32	28 <sub>-0.033</sub>	32 <sup>+0.025</sup>	1.935	1.970	6	1	0.6			SF-2		SF-2												
30	34	30 <sub>-0.033</sub>	34 <sup>+0.025</sup>													SF-2	SF-2	SF-2		SF-2					
35	39	35 <sub>-0.039</sub>	39 <sup>+0.025</sup>								SF-2		SF-2	SF-2	SF-2										
40	44	40 <sub>-0.039</sub>	44 <sup>+0.025</sup>								SF-2		SF-2		SF-2				SF-2						
45	50	45 <sub>-0.039</sub>	50 <sup>+0.025</sup>	2.415	2.460	8	1.2	0.8			SF-2	SF-2	SF-2		SF-2	SF-2	SF-2								
50	55	50 <sub>-0.039</sub>	55 <sup>+0.025</sup>														SF-2		SF-2		SF-2	SF-2	SF-2	SF-2	
55	60	55 <sub>-0.046</sub>	60 <sup>+0.025</sup>														SF-2	SF-2		SF-2		SF-2	SF-2	SF-2	
60	65	60 <sub>-0.046</sub>	65 <sup>+0.025</sup>										SF-2		SF-2		SF-2	SF-2	SF-2						

d	D	Axle	Housing H7	Wall Thickness		Oil Hole	f <sub>1</sub>	f <sub>1</sub>	Length													
				min	max				40	50	60	80	90	95	100	110	120					
65	70	65 -0.046	70 +0.030	2.415	2.460	8	1.2	0.8	SF-2		SF-2											
									6540		6560											
70	75	70 -0.046	75 +0.030						SF-2	SF-2		SF-2										
				7040	7050		7080															
75	80	75 -0.046	80 +0.030	2.385			1.4	0.8	SF-2		SF-2	SF-2										
									7540		7560	7580										
80	85	80 -0.046	85 +0.035						SF-2		SF-2	SF-2										
									8040		8060	8080										
85	90	85 -0.054	90 +0.035						SF-2		SF-2	SF-2										
									8540		8560	8580										
90	95	90 -0.054	95 +0.035						SF-2		SF-2	SF-2	SF-2				SF-2					
									9040		9060	9080	9090									
100	105	100 -0.054	105 +0.035								SF-2	SF-2				SF-2						
											10050	10080				10095						
105	110	105 -0.054	110 +0.035								SF-2	SF-2				SF-2				SF-2		
											10560	10580				10595				105110		
110	115	110 -0.054	115 +0.035								SF-2	SF-2				SF-2				SF-2		
											11060	11080				11095				110110		
120	125	120 -0.054	125 +0.040								SF-2	SF-2								SF-2		
											12060	12080								120110		
125	130	125 -0.063	130 +0.040								SF-2									SF-2		
											12560									125110		
130	135	130 -0.063	135 +0.040			SF-2	SF-2	SF-2						SF-2								
						13050	13060	13080						130100								
140	145	140 -0.063	145 +0.040			SF-2	SF-2	SF-2						SF-2								
						14050	14060	14080						140100								
150	155	150 -0.063	155 +0.040			SF-2	SF-2	SF-2						SF-2								
						15050	15060	15080						150100								
160	165	160 -0.063	165 +0.040			SF-2	SF-2	SF-2						SF-2								
						16050	16060	16080						160100								
170	175	170 -0.063	175 +0.040			SF-2		SF-2						SF-2								
						17050		17080						170100								
180	185	180 -0.063	185 +0.046			SF-2	SF-2	SF-2						SF-2								
						18050	18060	18080						180100								
190	195	190 -0.072	195 +0.046			SF-2	SF-2	SF-2						SF-2		SF-2						
						19050	19060	19080						190100		190120						
200	205	200 -0.072	205 +0.046			SF-2	SF-2	SF-2						SF-2		SF-2						
						20050	20060	20080						200100		200120						
220	225	220 -0.072	225 +0.046			SF-2	SF-2	SF-2						SF-2		SF-2						
						22050	22060	22080						220100		220120						
240	245	240 -0.072	245 +0.046			SF-2	SF-2	SF-2						SF-2		SF-2						
						24050	24060	24080						240100		240120						
250	255	250 -0.072	255 +0.052			SF-2	SF-2	SF-2						SF-2		SF-2						
						25050	25060	25080						250100		250120						
260	265	260 -0.081	265 +0.052			SF-2	SF-2	SF-2						SF-2		SF-2						
						26050	26060	26080						260100		260120						
280	285	280 -0.081	285 +0.052			SF-2	SF-2	SF-2						SF-2		SF-2						
						28050	28060	28080						280100		280120						
300	305	300 -0.081	305 +0.052			SF-2	SF-2	SF-2						SF-2		SF-2						
						30050	30060	30080						300100		300120						

Note: Bushing Length other than listed may also be supplied to special orders