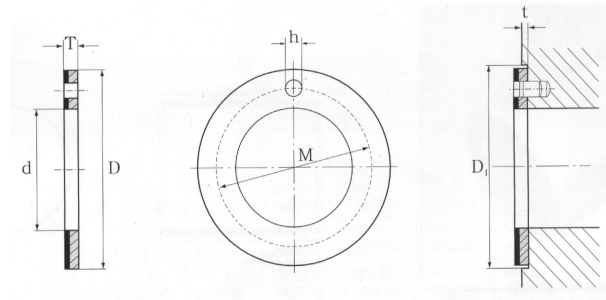


### SF Metric Thrust Washer



Axle	Designation	Size of Washer				Installation size			
		d+0.25	D-0.25	T-0.05	M±0.125	h <sup>+0.4</sup> <sub>-0.1</sub>	t ±0.2	D <sub>1</sub> +0.12	
8	SFWC10	10	20	1.5	15	1.5	1	20	
10	SFWC12	12	24		18			24	
12	SFWC14	14	26		20	2		26	
14	SFWC16	16	30		23			30	
16	SFWC18	18	32		25	3		32	
18	SFWC20	20	36		28			36	
20	SFWC22	22	38		30	4		38	
22	SFWC24	24	42		33			42	
24	SFWC26	26	44		35	1.5		44	
26	SFWC28	28	48		38			48	
30	SFWC32	32	54		43			54	
36	SFWC38	38	62		50			62	
40	SFWC42	42	66		54			66	
46	SFWC48	48	74		61			2	74
50	SFWC52	52	78	65	78				
60	SFWC62	62	90	76	90				

Statement: A dowel or counter sunk screw should be used to prevent rotation, but the head must be recessed at least 0.25mm below the thrust bearing surface.

### Standard Series of SF Strips

Unit: mm

Type	Lenget	Width ±1	Thickness -0.04
SF-1 SF-2	500	125	1.0
SF-1 SF-2	500	125	1.5
SF-1 SF-2	500	125	2.0
SF-1 SF-2	500	125	2.5
SF-2	500	125	3.0